

**Cubby Lockers**

RETAIN INSTRUCTIONS FOR FUTURE REFERENCE

---



**CC-30**



**CC-52**

**\*BINS SOLD SEPARATELY**



**CC-78**

**GENERAL SAFETY INFORMATION**

Some parts may have sharp edges. CARE must be taken when handling various pieces to avoid injury. For safety, wear a pair of work gloves when assembling or performing any maintenance on units.

---

**LIMITED WARRANTY**

Tennsco warrants goods purchased hereunder to be free of defects in materials and workmanship for a period of one (1) year from the date of shipment, hereunder. This warranty shall not apply in the event goods are damaged as a result of misuse, abuse, neglect, accident, improper application, modification or repair by persons not authorized by Seller, where goods are damaged during shipment, or where the date stamps on the goods have been defaced, modified or removed. UNLESS CONSIDERED UNENFORCEABLE OR UNLAWFUL UNDER APPLICABLE LAW:

- a. ALL IMPLIED WARRANTIES, INCLUDING BUT NOT LIMITED TO WARRANTIES OR MERCHANTABILITY AND FITNESS FOR A PARTICULAR PURPOSE ARE HEREBY EXCLUDED:
- b. BUYERS REMEDY, IF ANY, FOR ANY DEFECTIVE GOODS SHALL BE LIMITED TO A REFUND BY SELLER OR REPLACEMENT OF THE GOODS AT SELLER'S OPTION, AND SHALL IN NO EVENT INCLUDE DAMAGES OF ANY KIND, WHETHER INCIDENTAL, CONSEQUENTIAL OR OTHERWISE.

NO GOODS ACCEPTED FOR RETURN WITHOUT PRIOR APPROVAL. Seller shall have the right to inspect any goods claimed to be defective at Buyers place of business or require Buyer to return the goods to Seller for inspection on Seller's premises. Transportation charges covering returned goods will be borne by Seller only if such goods are proven to be defective, are covered by this warranty and are returned within the warranty period stated above.

---



**PROUDLY MADE IN THE U.S.A.**

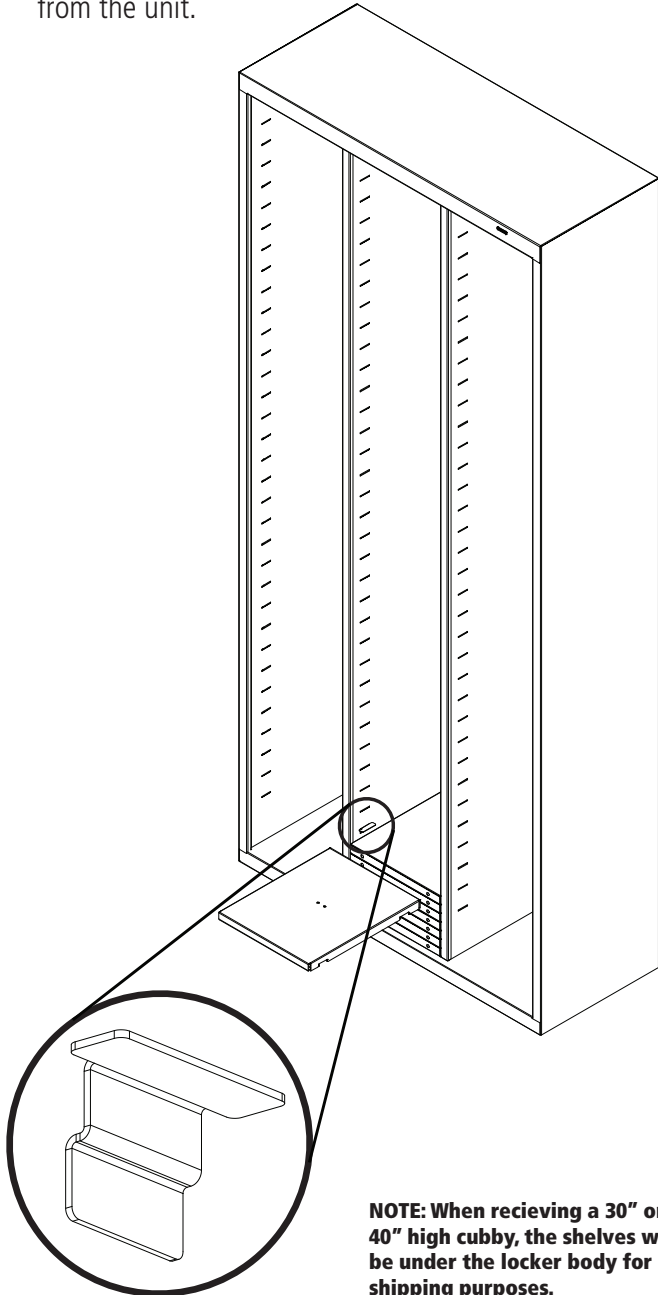
Tennsco LLC., Dickson, TN 37056-1888 • (866) 446-8686

# ASSEMBLY OF CUBBY LOCKER

Two people are recommended for assembly. Approximate assembly time: 5-10 minutes.

The reference numbers used throughout this sheet refer to the illustration on the back cover.  
This is to help you to identify the various parts as they are mentioned.

1. Shelves are secured to the bottom of the unit for shipping. They are held in place by two shelf clips which should be removed to be used later. To remove the shelves, pull the shelf bundle forward and remove them from the unit.

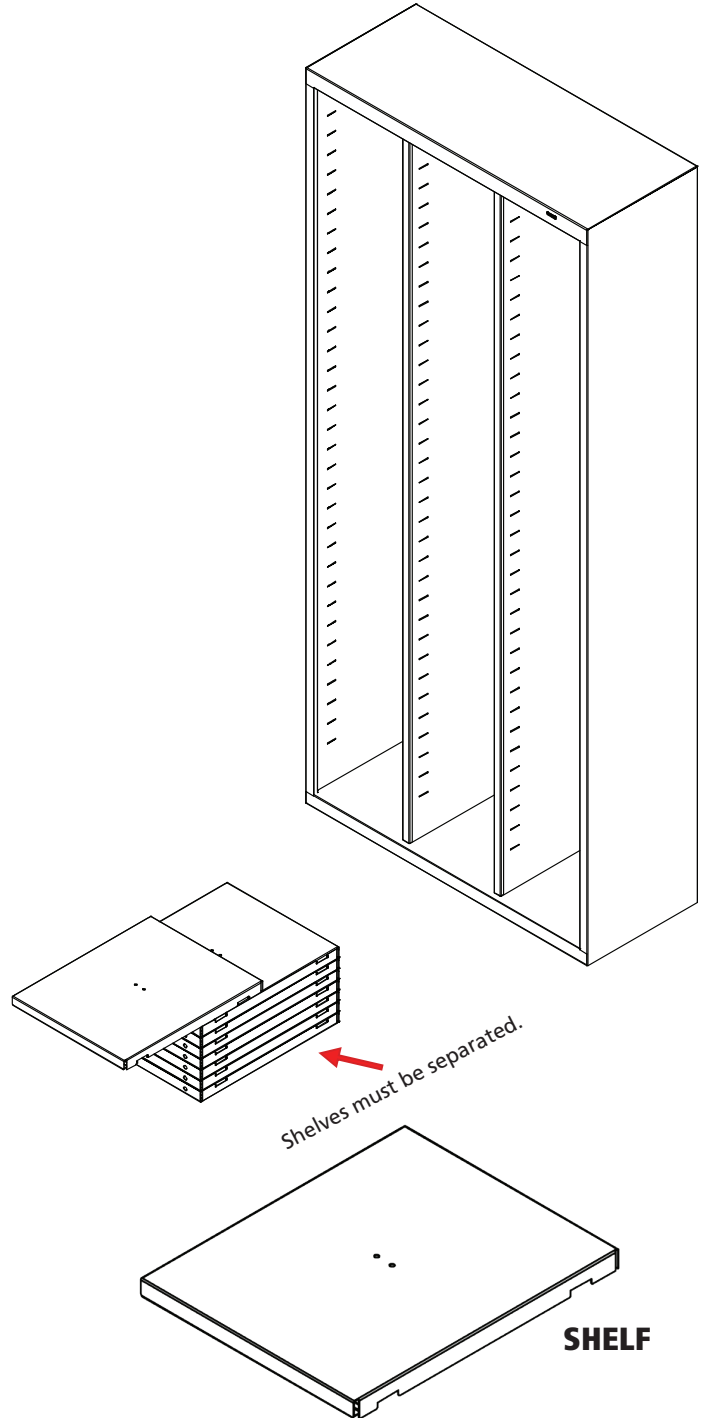


**SHELF CLIP**

**NOTE: When receiving a 30" or 40" high cubby, the shelves will be under the locker body for shipping purposes.**

**NOTE: Shelf clips are used upside down for shipping.**

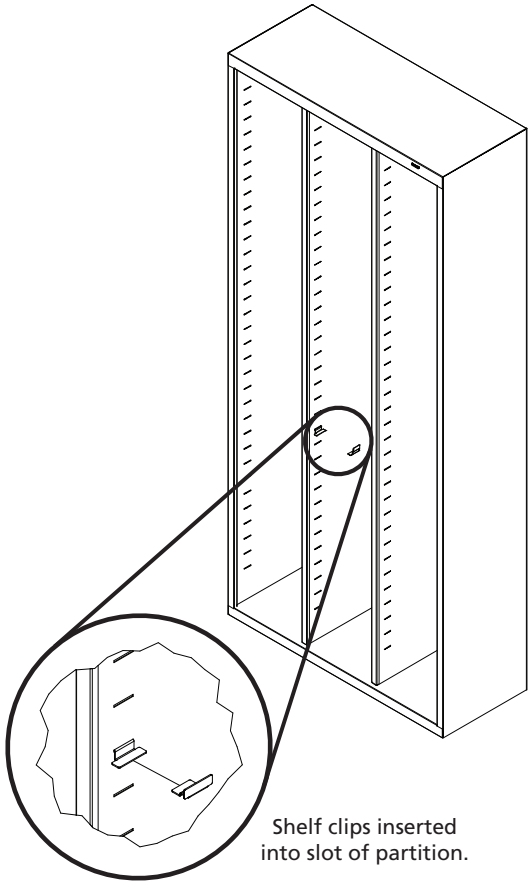
2. Remove the shelves (Ref. No. 2) from the cabinet. The shelves are bundled together with plastic wrap. They must be separated before installing into the unit. Shelf clips are located between the wrapped shelves.



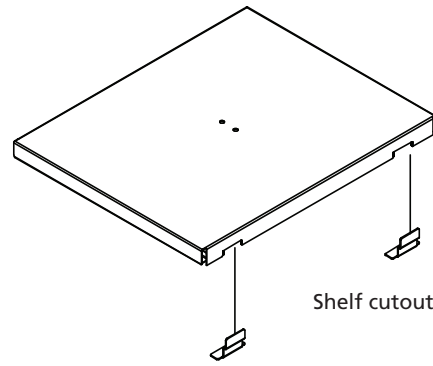
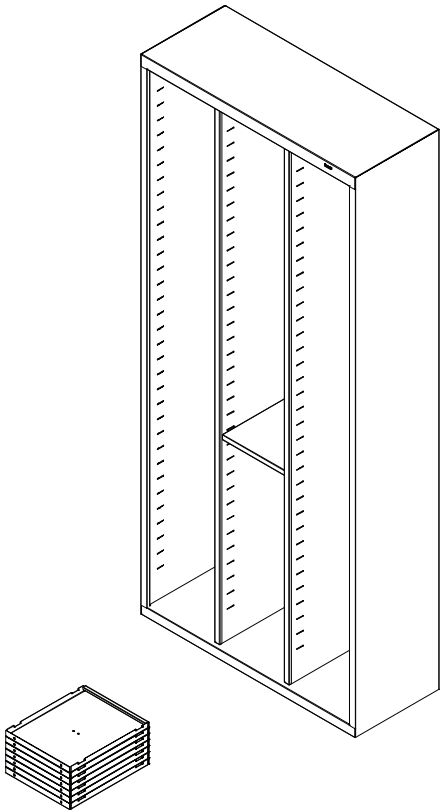
**SHELF**

**NOTE: The front of the shelf has an extra bend.**

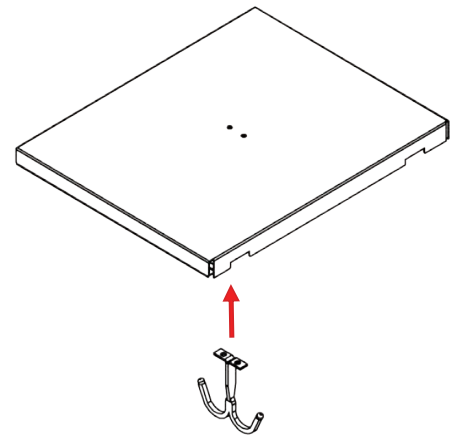
- 3.** Place shelf clips (Ref. No. 1) at the desired shelf locations. Each shelf uses four shelf clips, two in the front slots of the partition (Ref. No. 4) and two in the rear slots.



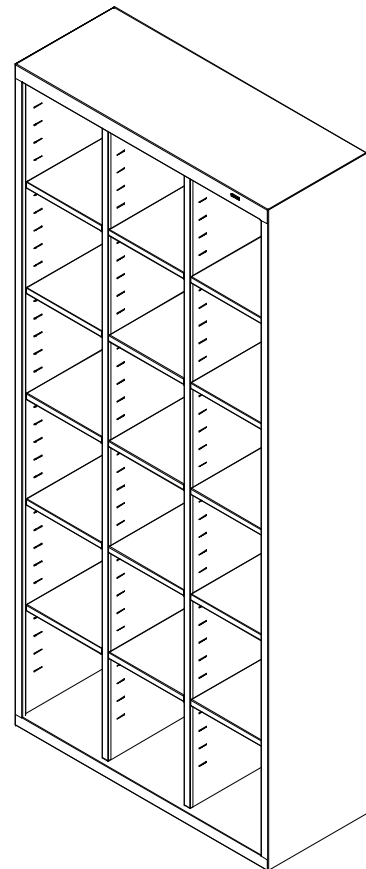
- 4.** Align the shelf so the cutouts on the sides of the shelf are over the clips. Tap the shelf down in all four corners. Repeat this step until you have placed all shelves.



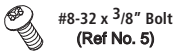
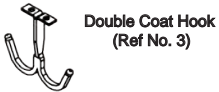
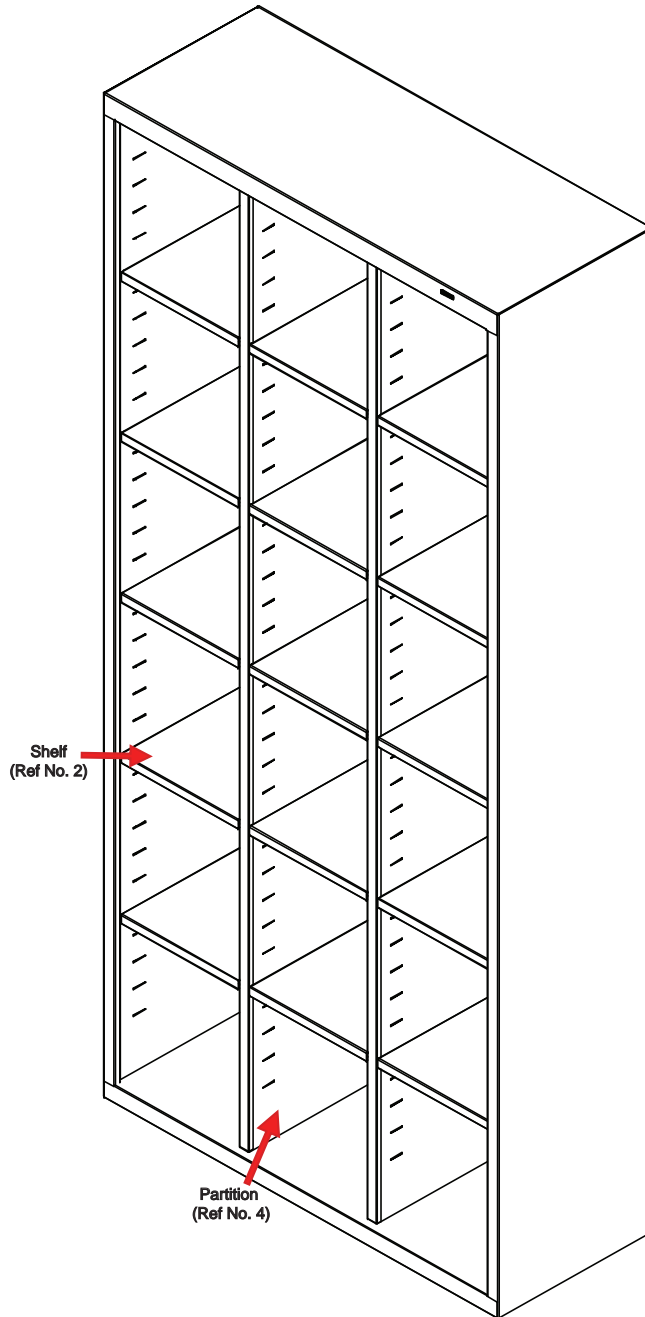
- 5.** To attach the coat hook (Ref. No. 3), place the hook under the shelf and align with the holes in center of the shelf. Use the provided nuts (Ref. No. 6) and bolts (Ref. No 5) to secure the hook to the shelf.



- 6.** Your cubby locker is now complete!



# REPLACEMENT PARTS



REF. NO.	DESCRIPTION	PART NO.	28" High QTY.	40" High QTY.	52" High QTY.	66" High QTY.	78" High QTY.
1	Shelf Clip	CCC-1	12	24	36	48	60
2	Shelf	ECS-1	3	6	9	12	15
3	Double Coat Hook	LCH-2	3	3	3	3	3
4	Partition	CCLP-xx	2	2	2	2	2
5	#8-32 x $\frac{3}{8}$ " Bolts	AVAILABLE LOCALLY	6	6	6	6	6
6	#8-32 Nuts	AVAILABLE LOCALLY	6	6	6	6	6

NOTE: Additional hardware may be included for replacement purposes.

Tennsco makes every effort to ensure that all units ship complete with all parts and arrive undamaged. However, should your unit contain missing or damaged parts, please contact your purchase location.